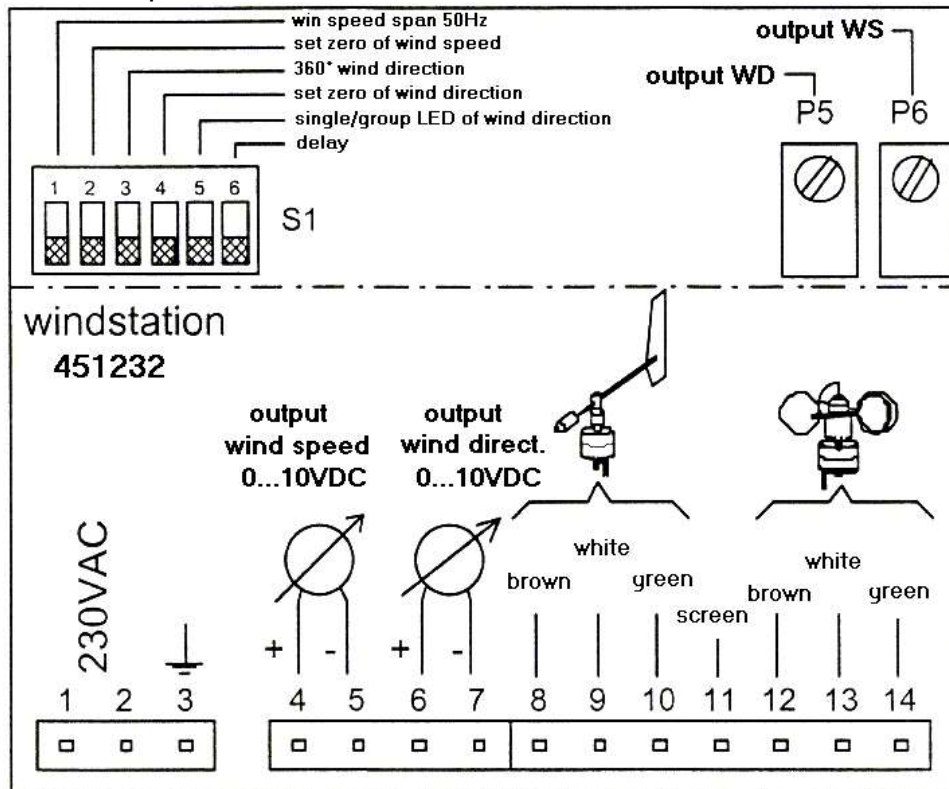




power supply	230 VAC \pm 20%, 50/60 Hz 4VA optional 12/24 VDC, 24VAC
wind speed display	3x7-segment LED-display red
wind direction display	a LED array of 36 LED's for analogue display in compass form
dimensions	H x W x D = 96 x 96 x 124 mm (including the connector on the rear), housing acc. DIN 43700, 96 x 96 mm.
analogue outputs	2 analogue outputs 0...10VDC (adjustable) for monitoring wind data on recorder, computer or data logger. (The ground of the inputs and outputs are internally connected)
sensors	for wind speed the monitor can be connected with the following anemometers: - 451 230 - 451 231

Connect specification



input of wind direction
principle of measure
input of wind speed
type of signal
dwell square wave
wind direction output signal
wind speed output signal
load output
load input
max. output voltage
display's linearity
output linearity
operating temperature

sensor type 451230
variable resistor 0...5000 Ohm
sensor type 451231
frequency, up to 400Hz TTL level
from 15% to 80%
0...360° = 0...10VDC
0...30m/s = 0...10VDC
min 1 000 Ohm
min 1 000 Ohm between brown and green
10,5VDC
<0,5% F.S.
<0,1% F.S.
-25...+50°C

The Fischer company reserves the right to make changes/improvements to their products and to their specifications at any time without prior notice to anyone.

